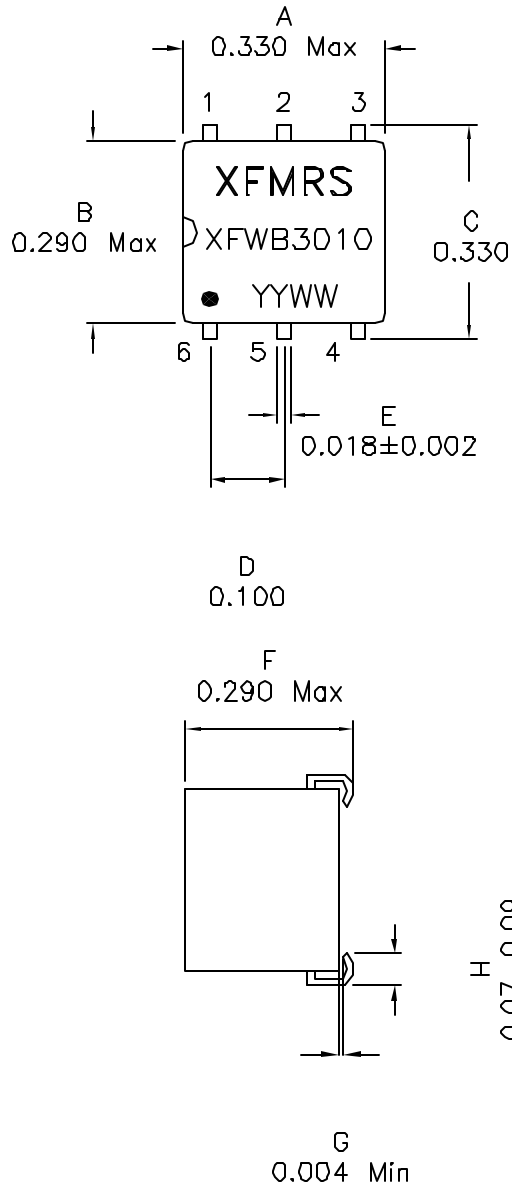
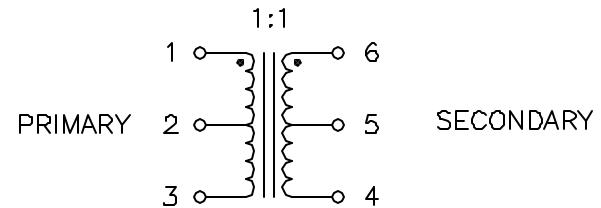


1. Mechanical Dimensions:



2. Schematic:



3. Electrical Specifications: @25°C

ISOLATION: 300VAC (PRI TO SEC)

TURNS RATIO: (1-3):(6-4)=1:1

OCL: 780uH Min @100KHz 50mV

DCR: 0.320 Ohms Max

Freq. Bandwidth: 3.0dB Typ. 0.0035-125MHz

Insertion Loss: 0.2dB Max

Idc: 250mA

Notes:

1. Solderability: Leads shall meet MIL-STD-202G, Method 208H for solderability.
2. Flammability: UL94V-0
3. ASTM oxygen index: > 28%
4. Insulation System: Class F 155°C. UL file E151556
5. Operating Temperature Range: All listed parameters are to be within tolerance from -40°C to +85°C
6. Storage Temperature Range: -55°C to +125°C
7. Aqueous wash compatible
8. SMD Lead Coplanarity: ±0.004"(0.102mm)
9. Electrical and mechanical specifications 100% tested
10. RoHS Compliant Component

DOC. REV. A/5

| | | | | |
|--|---------------|--------------------------|-----------|--|
| XFMRS Inc www.XFMRS.com | | Title: RF TRANSFORMER | | |
| UNLESS OTHERWISE SPECIFIED TOLERANCES: .xxx ±0.010 Dimensions in INCH | P/N: XFWB3010 | | REV. A | |
| | DWN. | Juan Mao | Feb-15-06 | |
| SHEET 1 OF 1 | CHK. | YK Liao | Feb-15-06 | |
| | APP. | BW | Feb-15-06 | |

PROPRIETARY

Document is the property of XFMRS Group & is not allowed to be duplicated without authorization.