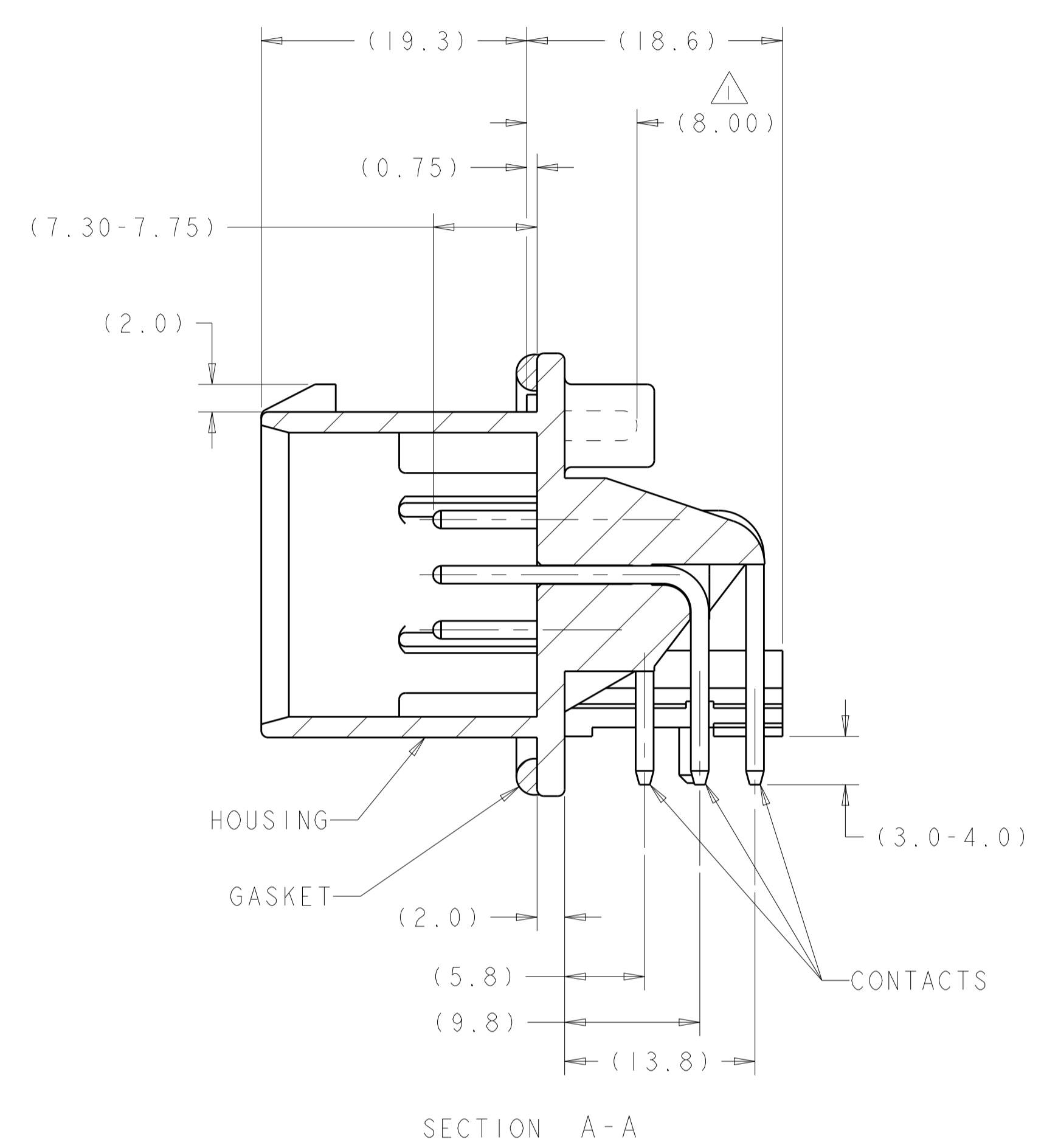
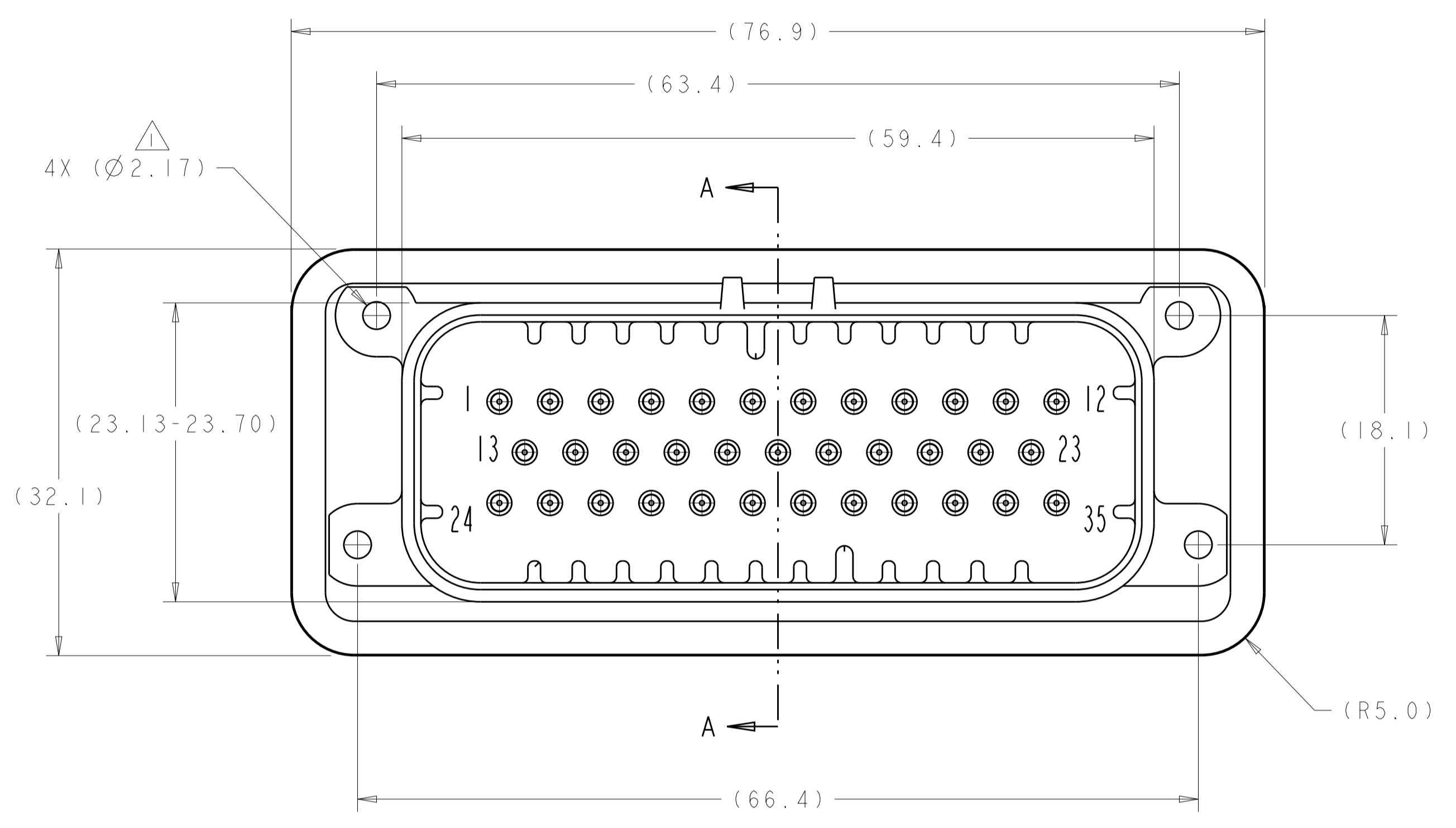
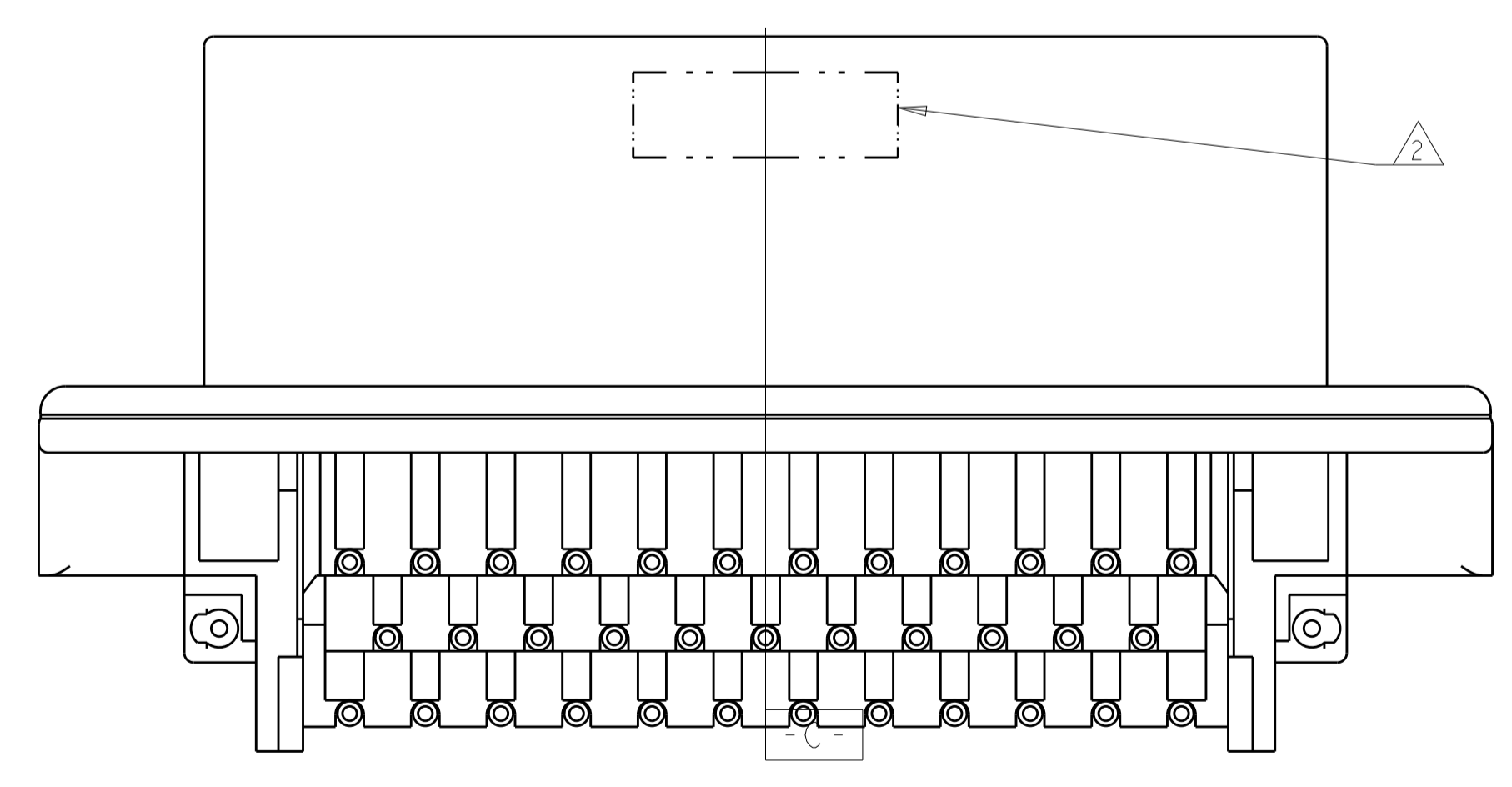


REVISIONS				
P.	LTM	DESCRIPTION	DATE	APVD
J9		REV PER ECO-19-009419	19JUN2019	DS DS



- △ ACCEPTS SCREW SIZE [Ø0.99 (2.50mm)] SELF TAPPING THREAD FORMING SCREW TO BE DRIVEN AT 0.6-0.8 N-m
  - △ DATE CODE IN THIS LOCATION USING 5 DIGIT CODE  
FIRST 2 DIGITS = YEAR, SECOND 2 DIGITS = WEEK  
LAST DIGIT = DAY
  - △ HOUSING COLORS ARE MECHANICALLY KEYPED TO MATE ONLY WITH IDENTICALLY COLORED PLUG ASSEMBLIES.
  - △ MATERIAL: HEADER HOUSING - GLASS FILLED PBT  
PINS - TIN OR GOLD PLATED BRASS  
GASKET - SILICONE
5. HEADER MATES TO PLUG ASSEMBLY 776164 WHICH USES REELED TERMINAL 770520 OR LOOSE PIECE TERMINAL 770854

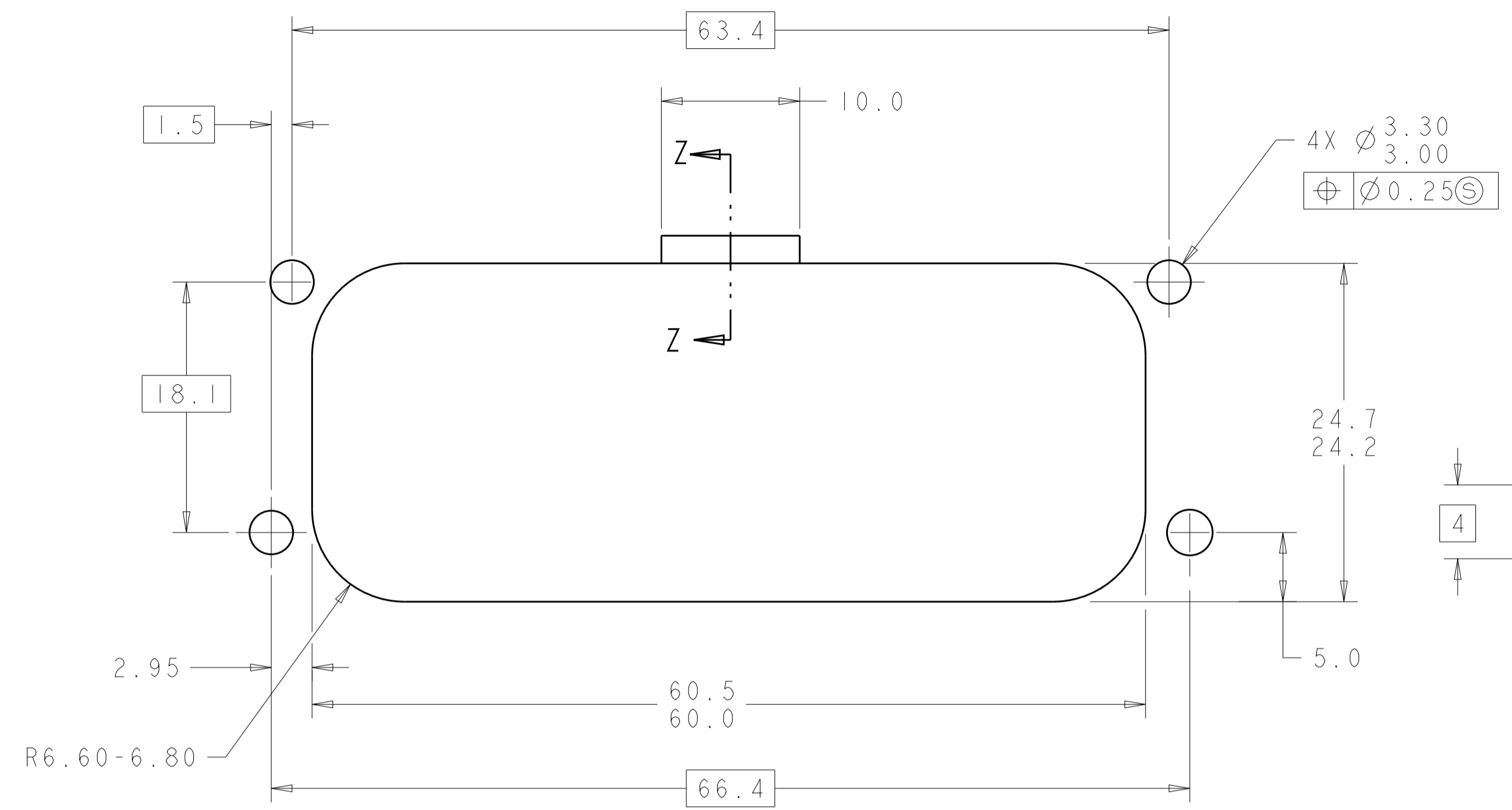


776163-1 & 1-776163-1  
KEY LOCATION AS SHOWN

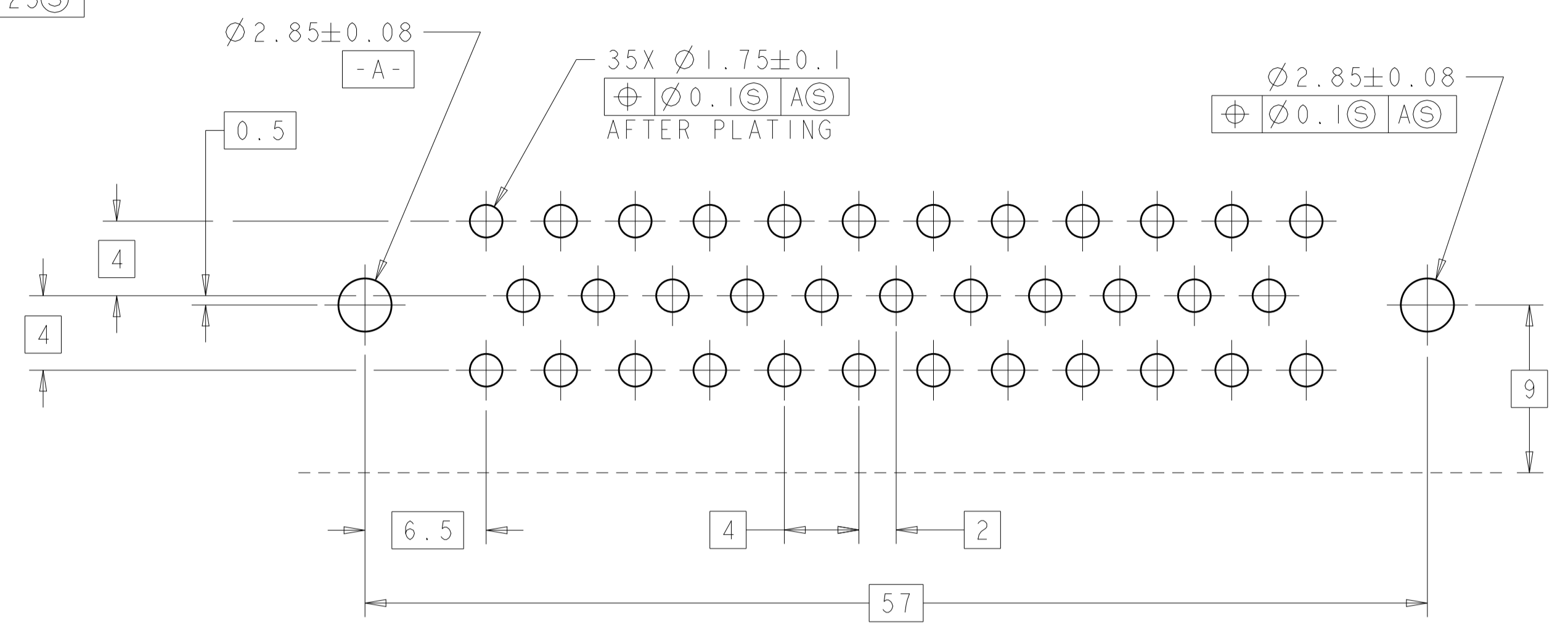
GOLD	ORANGE	1-776163-6
GOLD	BLUE	1-776163-5
GOLD	GRAY	1-776163-4
GOLD	NATURAL (WHITE)	1-776163-2
GOLD	BLACK	1-776163-1
TIN	BLUE	776163-5
TIN	GRAY	776163-4
TIN	NATURAL (WHITE)	776163-2
TIN	BLACK	776163-1
FINISH	HEADER COLOR △	PART NUMBER

THIS DRAWING IS A CONTROLLED DOCUMENT.		DWN R. VESTAL 31DEC2002	TE Connectivity
DIMENSIONS: mm		CHK D. CROWE 31DEC2002	
TOLERANCES UNLESS OTHERWISE SPECIFIED:		APVD D. CROWE 31DEC2002	NAME HEADER ASSEMBLY, 35 POSITION, RIGHT ANGLE, AMPSEAL
0 PLC ±0.2		PRODUCT SPEC 108-1329	
1 PLC ±0.2		APPLICATION SPEC 114-16016	SIZE CAGE CODE DRAWING NO RESTRICTED TO
2 PLC ±0.2		WEIGHT 40.45g	A100779C=776163
3 PLC ±0.2		CUSTOMER DRAWING	SCALE 4:1 SHEET 1 OF 2 REV J9
4 PLC ±0.2			
ANGLES ±0.5			
FINISH			

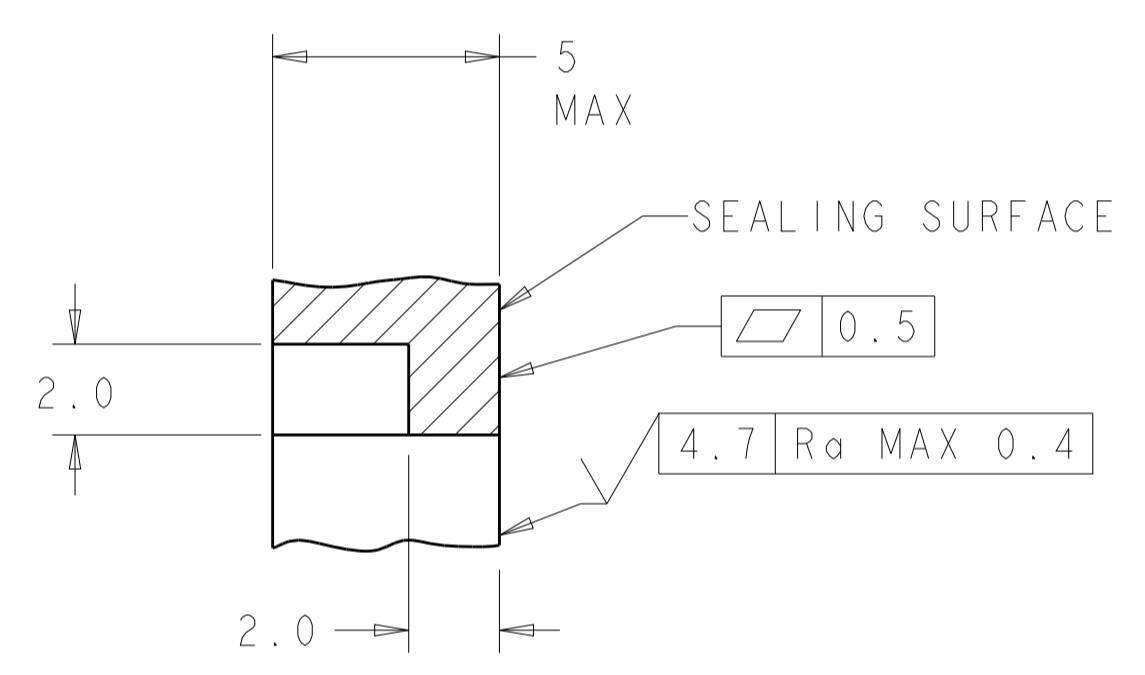
REVISIONS				
P.	LTN.	DESCRIPTION	DATE	APVD.
-	-	SEE SHEET 1	-	-



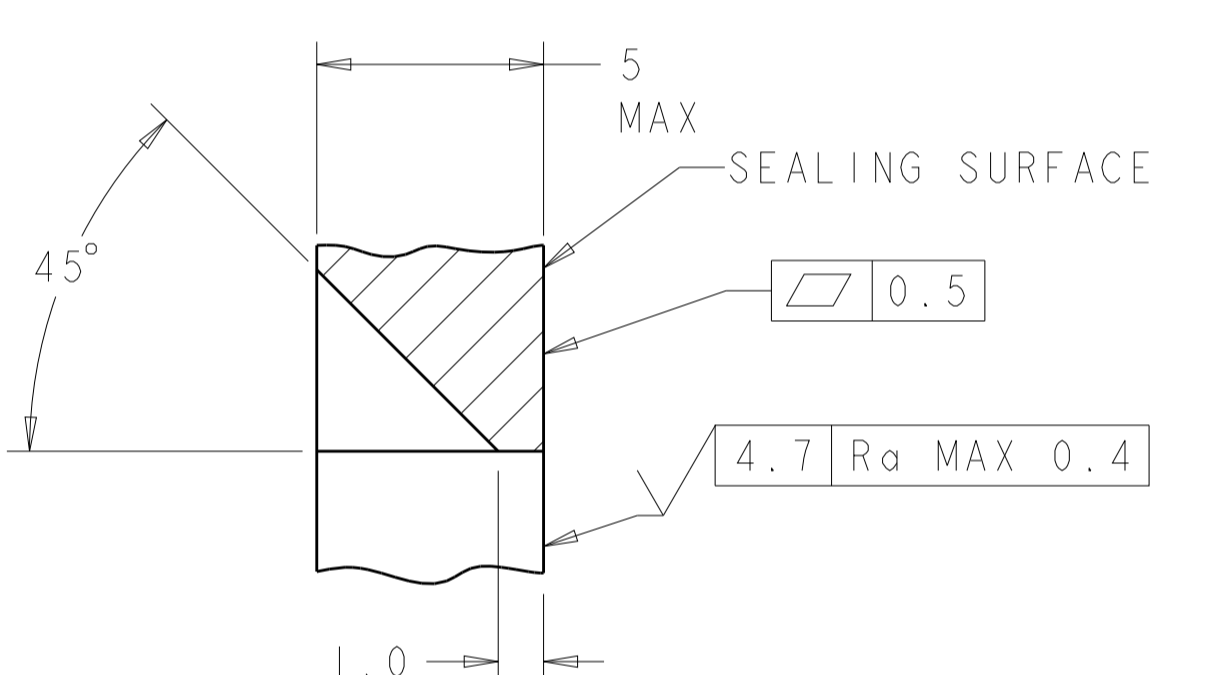
RECOMMENDED MOUNTING HOLE LAYOUT FOR 5.0 MAX THICK PANEL



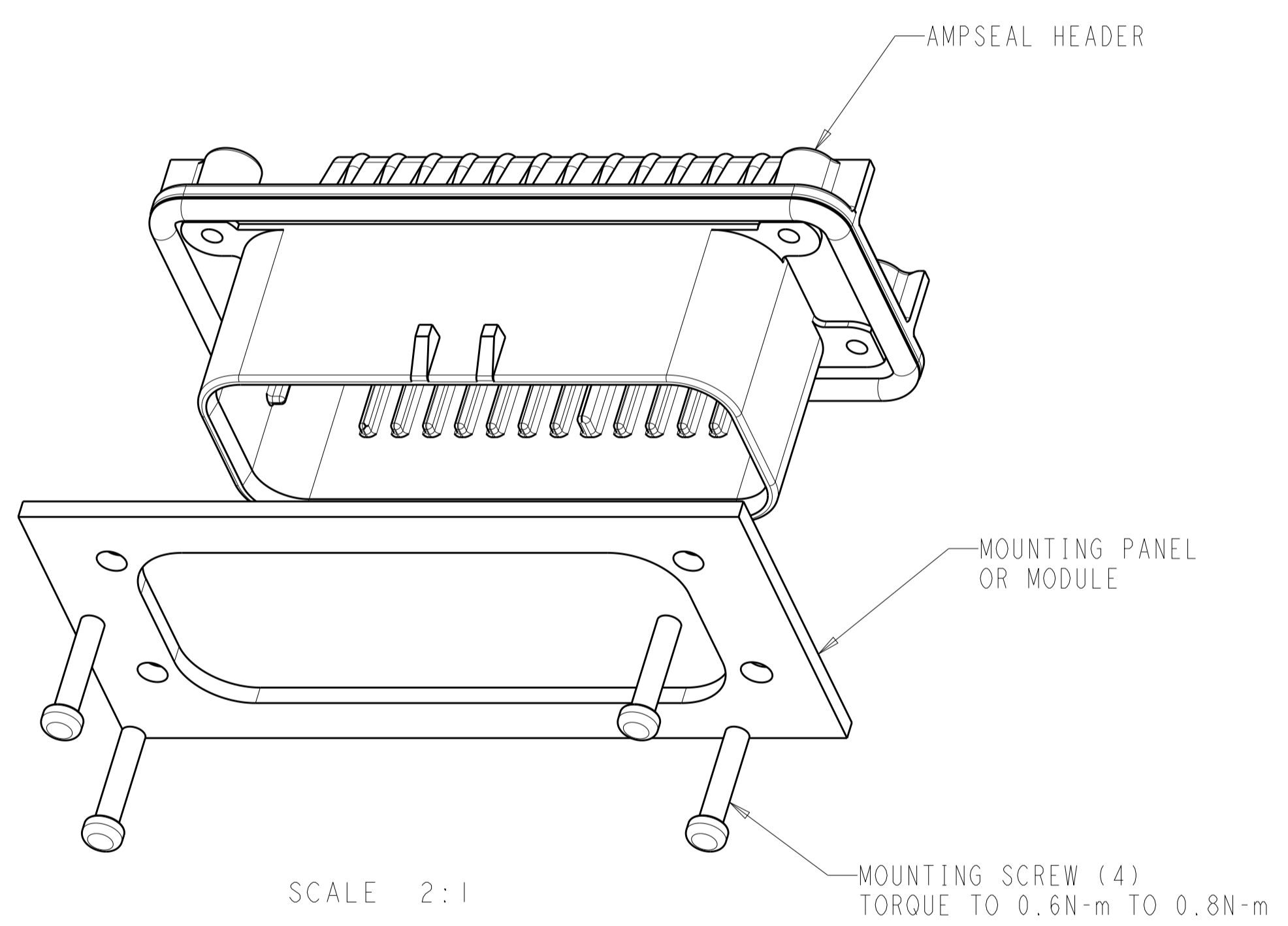
RECOMMENDED P.C. BOARD LAYOUT FOR 1.57 THICK P.C. BOARD



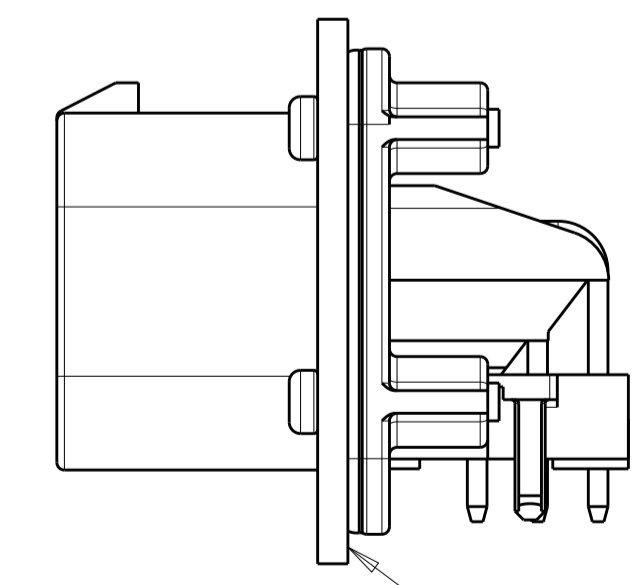
SECTION Z-Z  
OPTIONAL CONSTRUCTION IF  
THICKNESS IS GREATER THAN 2.0  
SCALE 6:1



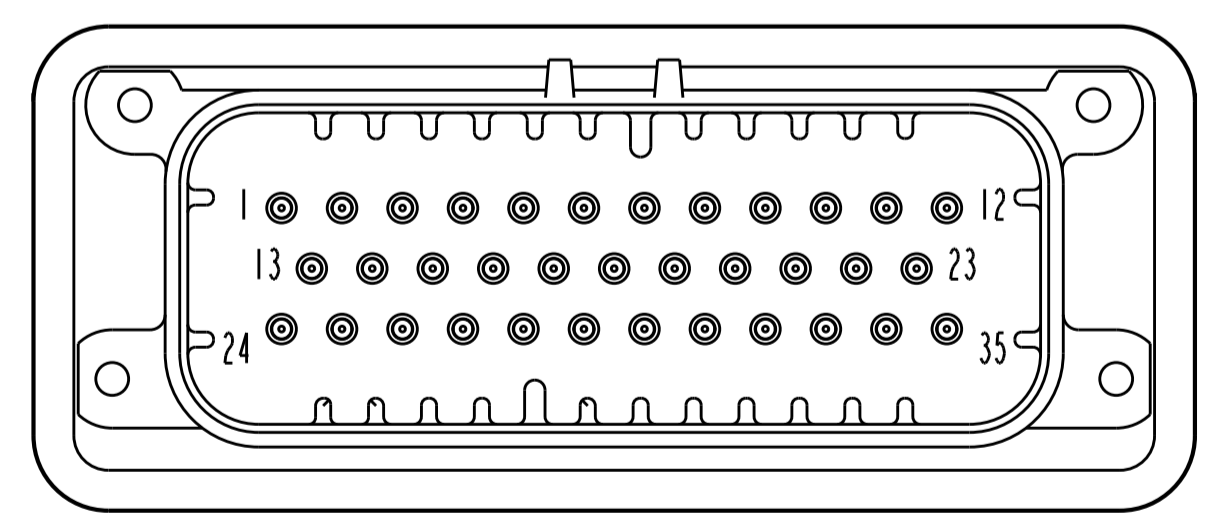
SECTION Z-Z  
OPTIONAL CONSTRUCTION IF  
THICKNESS IS GREATER THAN 2.0  
SCALE 6:1



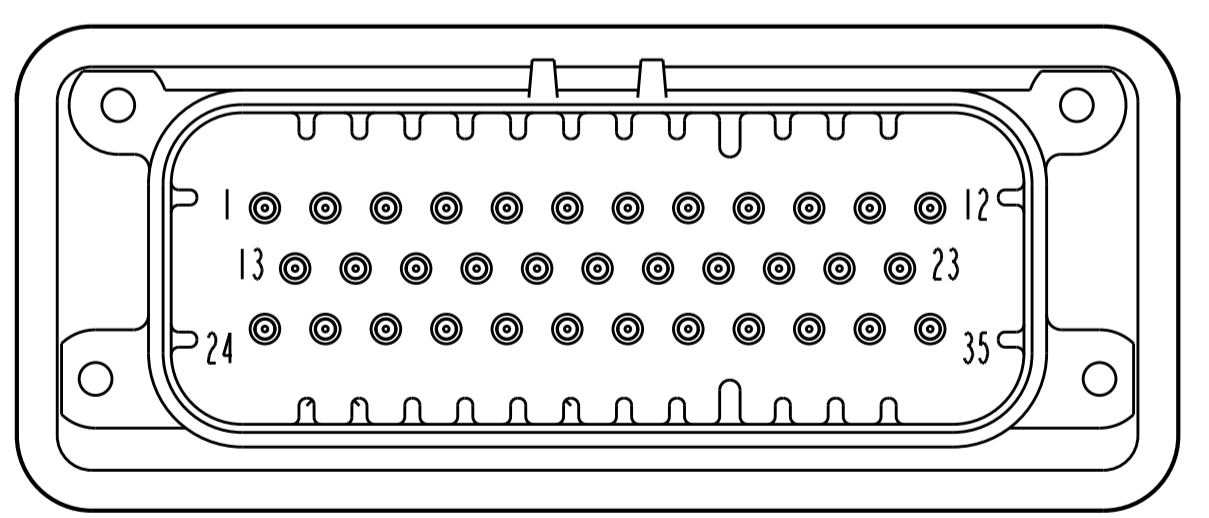
SCALE 2:1



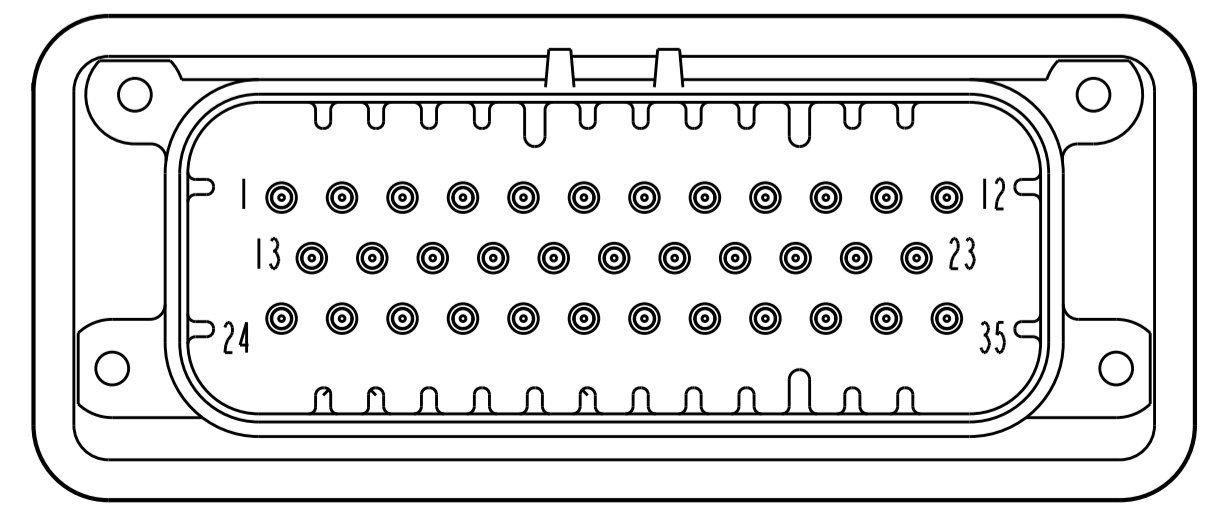
SCALE 2:1  
ENSURE THE HEADER IS FLUSH TO THE PANEL FACE ALL AROUND BEFORE TIGHTENING TO FINAL TORQUE



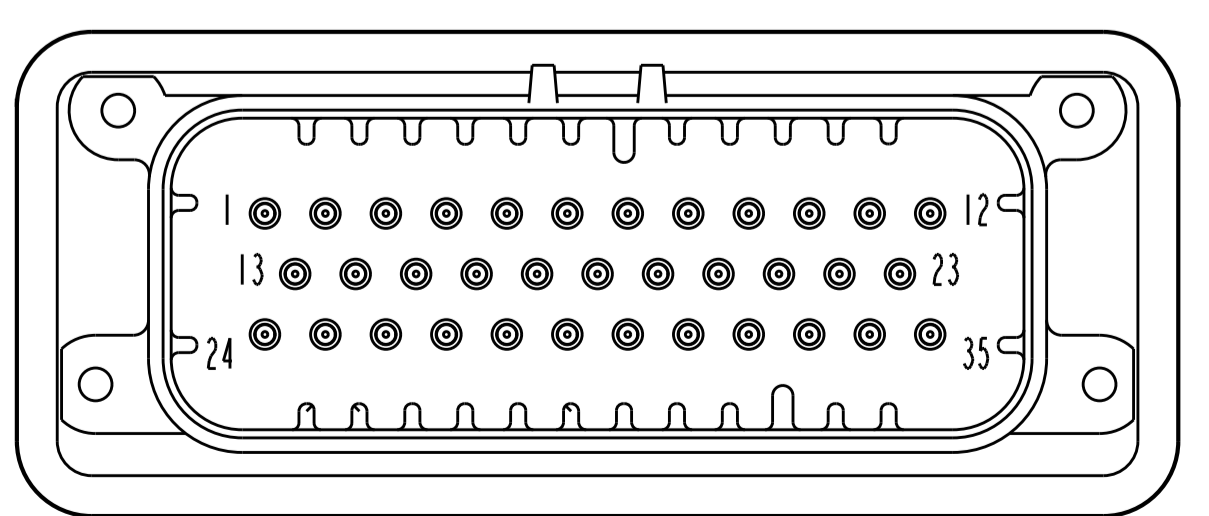
776163-2 & 1-776163-2  
KEY LOCATION AS SHOWN  
SCALE 2:1



776163-4 & 1-776163-4  
KEY LOCATION AS SHOWN  
SCALE 2:1



776163-5 & 1-776163-5  
KEY LOCATION AS SHOWN  
SCALE 2:1



1-776163-6  
KEY LOCATION AS SHOWN  
SCALE 2:1

THIS DRAWING IS A CONTROLLED DOCUMENT.		OWN: R. VESTAL 31DEC2002	TE Connectivity
DIMENSIONS: mm		CHK: D. CROWE 31DEC2002	
TOLERANCES UNLESS OTHERWISE SPECIFIED:		APVD: D. CROWE 31DEC2002	NAME: HEADER ASSEMBLY, 35 POSITION, RIGHT ANGLE, AMPSEAL
0 PLC	±	PRODUCT SPEC	SIZE: CAGE CODE DRAWING NO. RESTRICTED TO
1 PLC	±0.2	108-1329	A100779C=776163
2 PLC	±	APPLICATION SPEC	WEIGHT: 40.45g
3 PLC	±	114-16016	CUSTOMER DRAWING
4 PLC	±		SCALE: 4:1 SHEET: 2 OF 2 REV: J9
ANGLES	±		